

PFC Device Corporation	Product MSDS	Rev. 1
		2014. 08. 01

## MATERIAL SAFETY DATA SHEET

### 1. IDENTIFICATION

Product Name : SCHOTTKY DIODE  
Product Code : PFB/PTB series (DO-15)

### MANUFACTURE

Company Name : PFC Device Corporation  
Address : 3F., No.82, Min-Chuan Rd., Hsin-Ten Dist., New Taipei City 23141, Taiwan, R.O.C.  
Responsible Div : QRA  
Telephone : +886-2-2218-1555  
Fax : +886-2-2218-9160

EMERGENCY TELEPHONE NUMBER : +886-2-2218-1555

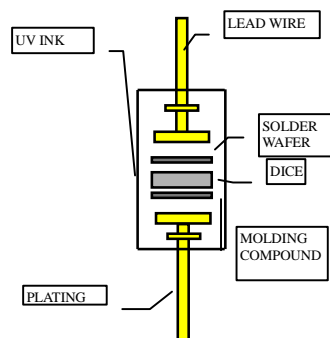
### 2. COMPOSITION/INFORMATION ON INGREDIENTS

Material	Composition(element)	CAS No.	Proportion	Weight(mg)
Dice	Silicon	7440-21-3	99.7%	1.058
	Impure(Al/Ag/Boron/Phosphorous/Copper/Ti/Ni/As ...)		0.3%	
Lead wire	Iron	7439-89-6	0.1%	261
	Phosphorus	7723-14-0	0.01%	
	Copper	7440-50-8	99.89%	
Solder Wafer*	Lead	7439-92-1	92.50%	1.655
	Tin	7440-31-5	5.00%	
	Silver	7440-22-4	2.50%	
Epoxy Molding Compound	Fused Silica	14808-60-7	60% ~90%	95.135
	Epoxy Resin	29690-82-2	10% ~30%	
	Phenolic Resin	9003-35-4	5% ~20%	
	Brominated Bis phenol-A-type epoxy Resin	40039-93-8	0% ~5%	
	Antimony Trioxide	1309-64-4	0% ~2%	
	Carbon Black	1333-86-4	0.0% ~0.5%	
Plating	Tin	7440-31-5	100.00%	6.15
UV-INK	Synthetic		70%	0.002
	Photo initiator	71868-10-5	10%	
	Dye	94108-97-1	20%	

#### Remark:

\* Solder is exempted from RoHS Directive 2011/65/EU exemption 7(a):

- Lead in high melting temperature type solders (i.e. lead-based alloys containing 85 % by weight or more lead)



PFC Device Corporation	Product MSDS	Rev. 1
		2014. 08. 01

MATERIAL SAFETY DATA SHEET

3. HAZARDS IDENTIFICATION

Hazard effects  
 Human health effects : NA  
 Environmental effects : NA  
 Class name of hazard : NA

4. FIRST AID MEASURES

Inhalation : NA  
 Eye : NA

5. FIRE FIGHTING MEASURES

Measures : Normal foam extinguisher  
 Special firefighting procedure : NA  
 Equipments : NA

6. ACCIDENTAL RELEASE MEASURES

Personal precautions : NA  
 Environment precautions : NA

7. HANDLING AND STORAGE

Handling : NA  
 Storage : Room temperature ( 28 °C)and RH < 60%

8. EXPOSURE CONTRROLS/PERSONAL PROTECTION

EXPOSURE LIMIT VALUES : NA

EXPOSURE CONTROLS  
 Engineering controls : NA

Personal protection  
 Respiratory protection : NA  
 Eye protection : NA  
 Skin protection : NA

---

**MATERIAL SAFETY DATA SHEET**

---

**9. PHYSICAL AND CHEMICAL PROPERTIES**

Appearance : Cylinder  
Color : Black  
Boiling Point : Not Available  
Melting Point : -  
Density : -  
Vapor Pressure : -  
Vapor Density : Not applicable  
Solubility in water : Insoluble

---

**10. STABILTY AND REACTIVITY**

STABILITY : Stability  
MATERIALS TO AVOID : -

---

**11. TOXICOLOGICAL INFORMATION**

Acute toxicity : Not available  
Sensitization : Not available  
Chronic Toxicity : Not available  
Mutagen city : Not available  
CarciNotgenicity : Not available  
IARC : Not available  
NTP : Not available  
OSHA : Not available  
Reproductive and Developmental : Not available  
Toxicity : Not available  
Other : Not available

---

**12. ECOLOGICAL INFORMATION**

Eco-toxicity -  
Persistence and degradability -  
Bio-accumulative potential -

---

<b>PFC Device Corporation</b>	<b>Product MSDS</b>	Rev. 1
		2014. 08. 01

## MATERIAL SAFETY DATA SHEET

---

### 13. DISPOSAL CONSIDERATION

Disposal method : Follow Government Regulations  
Special control industrial disposal : Not applicable

---

### 14. TRANSPORT INFORMATION

UN sorts : Not applicable  
Domestic regulation : Not applicable  
Special safety measurement and condition : Not applicable

---

### 15. REGULATORY INFORMATION

NA

---

### 16. OTHER INFORMATION

NA

---