

PFC Device Corporation	Product MSDS	Rev. 1
		2014. 08. 01

MATERIAL SAFETY DATA SHEET

1. IDENTIFICATION

Product Name : SCHOTTKY DIODE
Product Code : PFA/PTA series (DO-41)

MANUFACTURE

Company Name : PFC Device Corporation
Address : 3F., No.82, Min-Chuan Rd., Hsin-Ten Dist., New Taipei City 23141, Taiwan, R.O.C.
Responsible Div : QRA
Telephone : +886-2-2218-1555
Fax : +886-2-2218-9160

EMERGENCY TELEPHONE NUMBER : +886-2-2218-1555

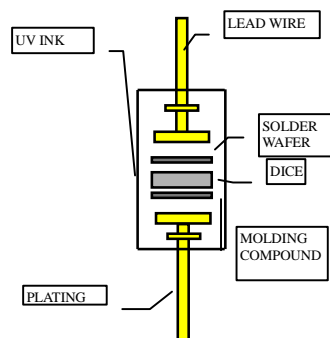
2. COMPOSITION/INFORMATION ON INGREDIENTS

Material	Composition(element)	CAS No.	Proportion	Weight(mg)
Dice	Silicon	7440-21-3	99.7%	0.958
	Impure(Al/Ag/Boron/Phosphorous/Copper/Ti/Ni/As ...)		0.3%	
Lead wire	Iron	7439-89-6	0.1%	223
	Phosphorus	7723-14-0	0.01%	
	Copper	7440-50-8	99.89%	
Solder Wafer*	Lead	7439-92-1	92.50%	1.655
	Tin	7440-31-5	5.00%	
	Silver	7440-22-4	2.50%	
Epoxy Molding Compound	Fused Silica	14808-60-7	60% ~90%	49.235
	Epoxy Resin	29690-82-2	10% ~30%	
	Phenolic Resin	9003-35-4	5% ~20%	
	Brominated Bis phenol-A-type epoxy Resin	40039-93-8	0% ~5%	
	Antimony Trioxide	1309-64-4	0% ~2%	
	Carbon Black	1333-86-4	0.0% ~0.5%	
Plating	Tin	7440-31-5	100.00%	6.15
UV-INK	Synthetic		70%	0.002
	Photo initiator	71868-10-5	10%	
	Dye	94108-97-1	20%	

Remark:

* Solder is exempted from RoHS Directive 2011/65/EU exemption 7(a):

- Lead in high melting temperature type solders (i.e. lead-based alloys containing 85 % by weight or more lead)



PFC Device Corporation	Product MSDS	Rev. 1
		2014. 08. 01

MATERIAL SAFETY DATA SHEET

3. HAZARDS IDENTIFICATION

Hazard effects
 Human health effects : NA
 Environmental effects : NA
 Class name of hazard : NA

4. FIRST AID MEASURES

Inhalation : NA
 Eye : NA

5. FIRE FIGHTING MEASURES

Measures : Normal foam extinguisher
 Special firefighting procedure : NA
 Equipments : NA

6. ACCIDENTAL RELEASE MEASURES

Personal precautions : NA
 Environment precautions : NA

7. HANDLING AND STORAGE

Handling : NA
 Storage : Room temperature (28 °C)and RH < 60%

8. EXPOSURE CONTRROLS/PERSONAL PROTECTION

EXPOSURE LIMIT VALUES : NA

EXPOSURE CONTROLS
 Engineering controls : NA

Personal protection
 Respiratory protection : NA
 Eye protection : NA
 Skin protection : NA

MATERIAL SAFETY DATA SHEET

9. PHYSICAL AND CHEMICAL PROPERTIES

Appearance : Cylinder
Color : Black
Boiling Point : Not Available
Melting Point : -
Density : -
Vapor Pressure : -
Vapor Density : Not applicable
Solubility in water : Insoluble

10. STABILTY AND REACTIVITY

STABILITY : Stability
MATERIALS TO AVOID : -

11. TOXICOLOGICAL INFORMATION

Acute toxicity : Not available
Sensitization : Not available
Chronic Toxicity : Not available
Mutagen city : Not available
CarciNotgenicity : Not available
IARC : Not available
NTP : Not available
OSHA : Not available
Reproductive and Developmental : Not available
Toxicity : Not available
Other : Not available

12. ECOLOGICAL INFORMATION

Eco-toxicity -
Persistence and degradability -
Bio-accumulative potential -

PFC Device Corporation	Product MSDS	Rev. 1
		2014. 08. 01

Page 4 of 4

MATERIAL SAFETY DATA SHEET

13. DISPOSAL CONSIDERATION

Disposal method : Follow Government Regulations
Special control industrial disposal : Not applicable

14. TRANSPORT INFORMATION

UN sorts : Not applicable
Domestic regulation : Not applicable
Special safety measurement and condition : Not applicable

15. REGULATORY INFORMATION

NA

16. OTHER INFORMATION

NA
