

|                        |              |              |
|------------------------|--------------|--------------|
| PFC Device Corporation | Product MSDS | Rev. 9       |
|                        |              | 2014. 08. 01 |

## MATERIAL SAFETY DATA SHEET

### 1. IDENTIFICATION

Product Name : SCHOTTKY DIODE  
Product Code : PFS/PTS series (DO-201AD)

### MANUFACTURE

Company Name : PFC Device Corporation  
Address : 3F., No.82, Min-Chuan Rd., Hsin Ten Dist., New Taipei City 23141, Taiwan, R.O.C.  
Responsible Div : QRA  
Telephone : +886-2-2218-1555  
Fax : +886-2-2218-9160

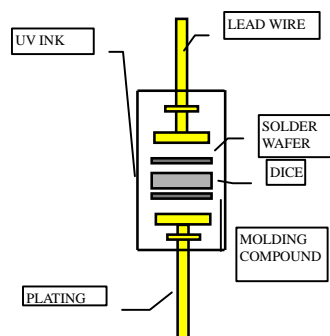
EMERGENCY TELEPHONE NUMBER : +886-2-2218-1555

### 2. COMPOSITION/INFORMATION ON INGREDIENTS

| Material               | Composition(element) | CAS No.    | Proportion | Weight(mg) |
|------------------------|----------------------|------------|------------|------------|
| Dice                   | Silicon              | 7440-21-3  | 99~99.5%   | 2.698      |
| Lead wire              | Iron                 | 7439-89-6  | 0.1%       | 750.3      |
|                        | Phosphorus           | 7723-14-0  | 0.01%      |            |
|                        | Copper               | 7440-50-8  | 99.89%     |            |
| Solder Wafer*          | Lead                 | 7439-92-1  | 92.50%     | 6          |
|                        | Tin                  | 7440-31-5  | 5.00%      |            |
|                        | Silver               | 7440-22-4  | 2.50%      |            |
| Epoxy Molding Compound | Fused Silica         | 14808-60-7 | 60% ~90%   | 331        |
|                        | Epoxy Resin          | 29690-82-2 | 10% ~30%   |            |
|                        | Phenolic Resin       | 9003-35-4  | 5% ~20%    |            |
|                        | Carbon Black         | 1333-86-4  | 0.1% ~1%   |            |
| Plating                | Tin                  | 7440-31-5  | 100.00%    | 12         |
| UV-INK                 | Synthetic            |            | 70%        | 0.002      |
|                        | Photo initiator      | 71868-10-5 | 10%        |            |
|                        | Dye                  | 94108-97-1 | 20%        |            |

#### Remark:

- \* Solder is exempted from RoHS Directive 2011/65/EU exemption 7(a):  
- Lead in high melting temperature type solders (i.e. lead-based alloys containing 85 % by weight or more lead)



|                               |                     |                     |
|-------------------------------|---------------------|---------------------|
| <b>PFC Device Corporation</b> | <b>Product MSDS</b> | <b>Rev. 9</b>       |
|                               |                     | <b>2014. 08. 01</b> |

**MATERIAL SAFETY DATA SHEET**

**3. HAZARDS IDENTIFICATION**

Hazard effects  
 Human health effects : NA  
 Environmental effects : NA  
 Class name of hazard : NA

**4. FIRST AID MEASURES**

Inhalation : NA  
 Eye : NA

**5. FIRE FIGHTING MEASURES**

Measures : Normal foam extinguisher  
 Special firefighting procedure : NA  
 Equipments : NA

**6. ACCIDENTAL RELEASE MEASURES**

Personal precautions : NA  
 Environment precautions : NA

**7. HANDLING AND STORAGE**

Handling : NA  
 Storage : Room temperature ( 28 °C)and RH < 60%

**8. EXPOSURE CONTRROLS/PERSONAL PROTECTION**

EXPOSURE LIMIT VALUES : NA

**EXPOSURE CONTROLS**

Engineering controls : NA

**Personal protection**

Respiratory protection : NA

Eye protection : NA

Skin protection : NA

---

**MATERIAL SAFETY DATA SHEET**

---

**9. PHYSICAL AND CHEMICAL PROPERTIES**

Appearance : Cylinder  
Color : Black  
Boiling Point : Not Available  
Melting Point : -  
Density : -  
Vapor Pressure : -  
Vapor Density : Not applicable  
Solubility in water : Insoluble

---

**10. STABILTY AND REACTIVITY**

STABILITY : Stability  
MATERIALS TO AVOID : -

---

**11. TOXICOLOGICAL INFORMATION**

Acute toxicity : Not available  
Sensitization : Not available  
Chronic Toxicity : Not available  
Mutagen city : Not available  
CarciNotgenicity : Not available  
IARC : Not available  
NTP : Not available  
OSHA : Not available  
Reproductive and Developmental : Not available  
Toxicity : Not available  
Other : Not available

---

**12. ECOLOGICAL INFORMATION**

Eco-toxicity -  
Persistence and degradability -  
Bio-accumulative potential -

---

|                               |                     |              |
|-------------------------------|---------------------|--------------|
| <b>PFC Device Corporation</b> | <b>Product MSDS</b> | Rev. 9       |
|                               |                     | 2014. 08. 01 |

Page 4 of 4

## MATERIAL SAFETY DATA SHEET

---

### 13. DISPOSAL CONSIDERATION

Disposal method : Follow Government Regulations  
Special control industrial disposal : Not applicable

---

### 14. TRANSPORT INFORMATION

UN sorts : Not applicable  
Domestic regulation : Not applicable  
Special safety measurement and condition : Not applicable

---

### 15. REGULATORY INFORMATION

NA

---

### 16. OTHER INFORMATION

NA

---