



PFC Device Corporation

P15L60SP

15A 60V MOS Schottky Rectifier

Major ratings and characteristics

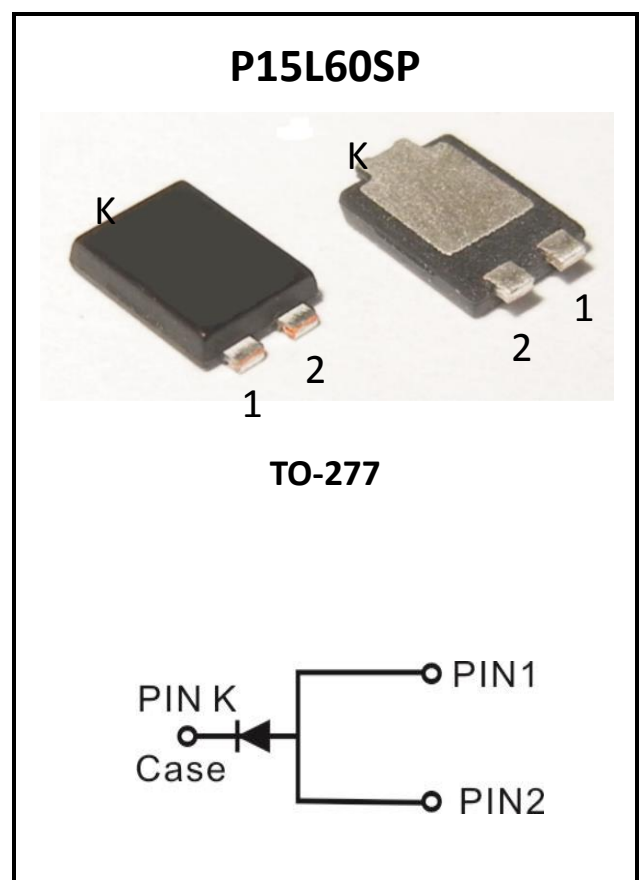
| Characteristics | Values | Units |
|--------------------------------------|-------------|------------|
| $I_{F(AV)}$ Rectangular Waveform | 15 | A |
| V_{RRM} | 60 | V |
| $V_F@ 15A, T_j=125^\circ C$ | 0.54 | V, typ. |
| T_j Operating Junction Temperature | -65 to +150 | $^\circ C$ |

Features

- Low Forward Voltage Drop
- Reliable High Temperature Operation
- Softest, fast switching capability
- 150 $^\circ C$ Operating Junction Temperature
- Lead Free Finish, RoHS Compliant
- Green Molding Compound (No Br, Sb)

Typical Applications

Device optimized for low forward voltage drop to maximize efficiency in Power Supply applications



1. Characteristics

Maximum Ratings Characteristics ($T_A = 25^\circ\text{C}$ unless otherwise specified)

| Parameter | Symbol | Values | Units |
|--|----------------|--------------|-----------------------------|
| DC Blocking Voltage | V_{RM} | 60 | Volts |
| Working Peak Reverse Voltage | V_{RWM} | | |
| Peak Repetitive Reverse Voltage | V_{RRM} | | |
| Average Rectified Forward Current Per device | I_o | 15 | Amps |
| Peak Forward Surge Current - 1/2 60hz | I_{FSM} | 275 | Amps |
| Peak Repetitive Reverse Surge Current (2uS-1Khz) | I_{RRM} | 2 | Amps |
| Typical Thermal Resistance | | | |
| Thermal Resistance junction to Ambient Note (1) | $R\theta_{JA}$ | 72 | $^\circ\text{C} / \text{W}$ |
| Thermal Resistance junction to Ambient Note (2) | $R\theta_{JA}$ | 30 | |
| Maximum Rate of Voltage Change (at Rated VR) | dv/dt | 10000 | V/uS |
| Operating Junction Temperature | T_J | - 65 to +150 | $^\circ\text{C}$ |
| Storage Junction Temperature | T_{STG} | - 65 to +150 | |

Electrical Characteristics - (per leg) ($T_A = 25^\circ\text{C}$ unless otherwise specified)

| Parameter | Test Conditions | Symbol | Typ. | Max. | Units |
|-------------------------------|----------------------|---------|-------|------|---------------|
| Instantaneous Forward Voltage | $I_F = 15 \text{ A}$ | V_F^* | ----- | 0.60 | Volts |
| | | | 0.54 | 0.58 | |
| Instantaneous Reverse Current | At V_{RM} | I_R^* | ----- | 500 | μA |
| | | | ----- | 100 | mA |

* Pulse width < 300 uS, Duty cycle < 2%

Note 1. FR-4 PCB, 2 oz Copper. Minimum recommended pad layout

Note 2. Polyimide PCB, 2 oz Copper. Cathode pad dimensions 18.8x14.4mm , Anode pad dimensions- (5.6x14.4mm)



2. Characteristics Curves

Ratings and Characteristics Curves

(TA = 25°C unless otherwise specified)

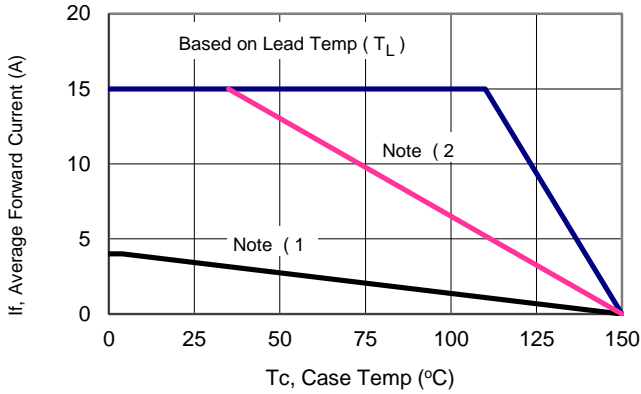


Figure 1: Current Derating, Case

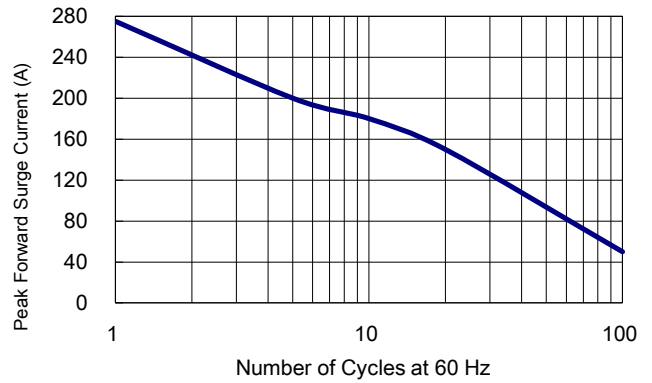


Figure 2: Maximum Repetitive Surge Current

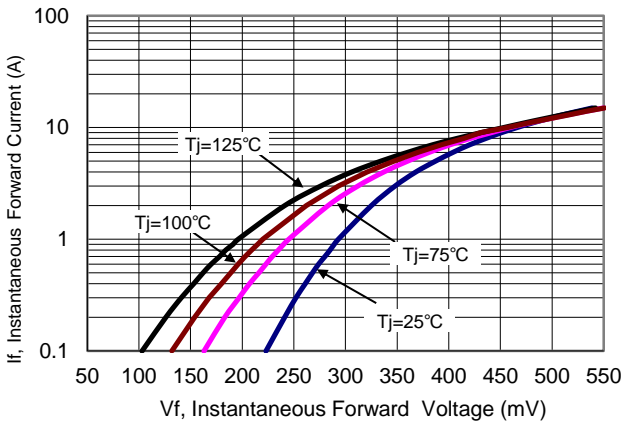


Figure 3: Typical Forward Voltage

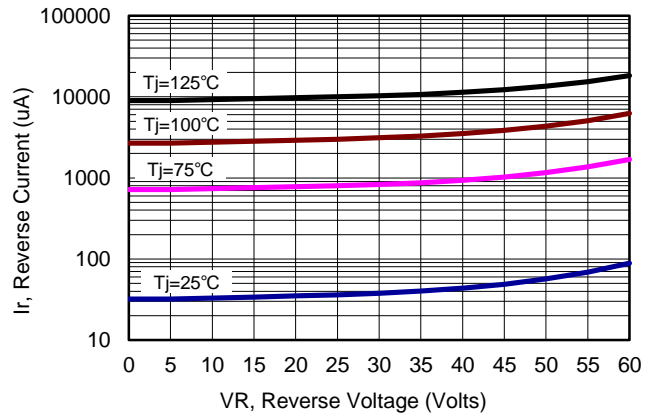


Figure 4: Typical Reverse Current

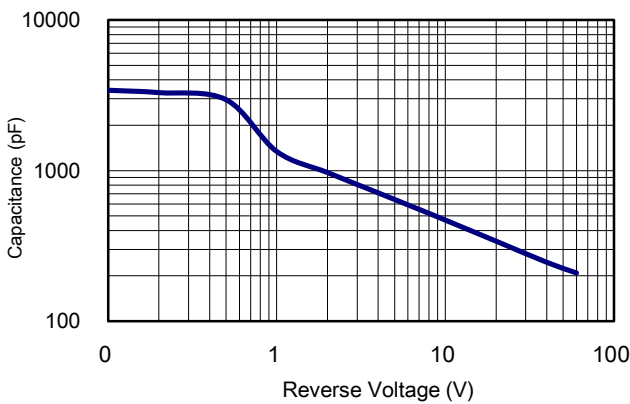
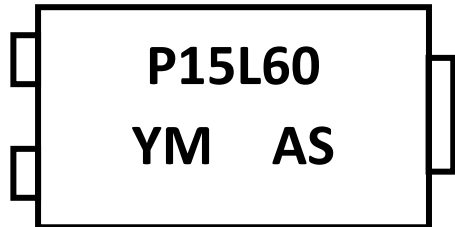


Figure 5: Typical Junction Capacitance



3. Marking information

Top Marking Rule



P15L60 = Product Type Marking Code

YM = Date Code

Y = Last one digits of year

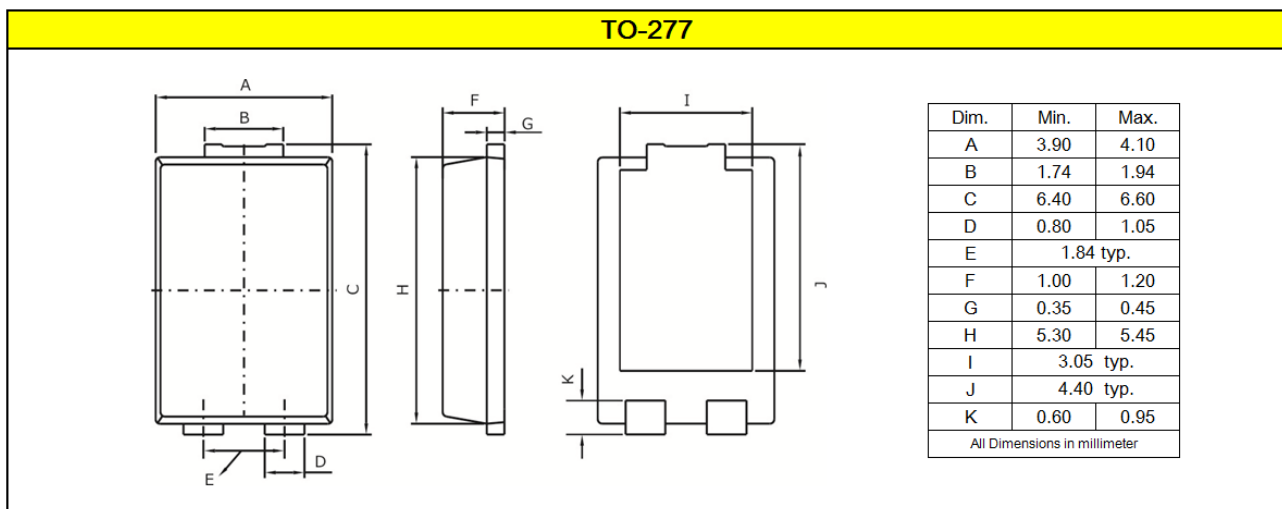
M = Month code

A = Assembly Code

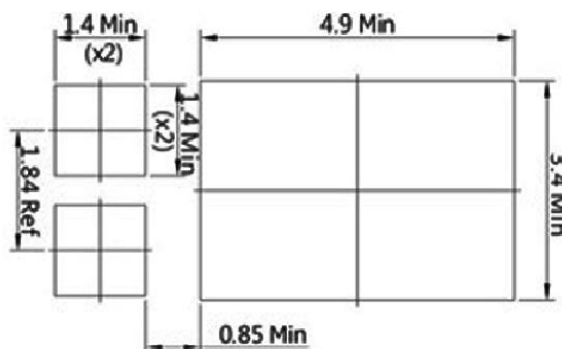
S = Series Number

4. Package information

Suggested Package Outline Dimensions millimeters

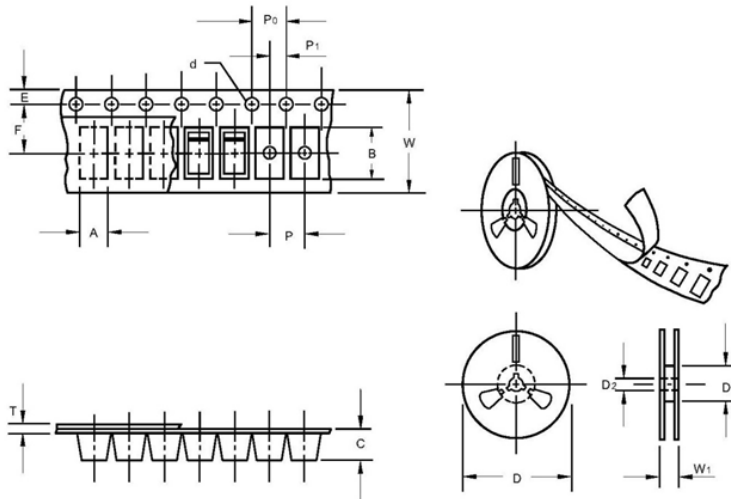


Mounting pad Outline Dimensions millimeters



5. Packing and Ordering information

Packing information millimeters



| Item | Symbol | Dimension |
|-----------------------|--------|-----------|
| Carrier width | A | 4.4±0.10 |
| Carrier length | B | 7.0±0.10 |
| Carrier depth | C | 1.4±0.10 |
| Sprocket hole | d | 1.5±0.10 |
| Reel outside diameter | D | 330.0±1.0 |
| Reel inner diameter | D1 | 75±1.0 |
| Feed hole diameter | D2 | 13.5±1.0 |
| Stocket hole position | E | 1.75±0.10 |
| Punch hole position | F | 7.5±0.10 |
| Punch hole pitch | P | 8.0±0.10 |
| Sprocket hole pitch | P0 | 4.0±0.10 |
| Embossment center | P1 | 2.0±0.10 |
| Total tape thickness | T | 0.3±0.10 |
| Tape width | W | 16.0±0.20 |
| Reel width | W1 | 22.7±1.5 |

Ordering information

| Part Number | Package | Base Quantity | Delivery mode |
|-------------|---------|---------------|------------------------------------|
| P15L60SP | TO-277 | 5000 | 13" diameter plastic tape and reel |

Mechanical

- Molder Plastic: UL Flammability Classification Rating 94V-0
- Device Weight : 0.003 ounces (0.093grams) - TO-277

PFC Device Corp reserves the right to make changes without further notice to any products herein. PFC Device Corp makes no warranty, representation or guarantee regarding the suitability of its products for any particular purpose, nor does PFC Device Corp assume any liability arising out of the application or use of any product or circuit, and specifically disclaims any and all liability, including without limitation special, consequential or incidental damages. "Typical" parameters which may be provided in PFC Device Corp data sheets and/or specifications can and do vary in different applications and actual performance may vary over time. All operating parameters, including "Typical" must be validated for each customer application by customer's technical experts. PFC Device Corp does not convey any license under its patent rights nor the rights of others. PFC Device Corp products are not designed, intended, or authorized for use as components in systems intended for surgical implant into the body, or other applications intended to support or sustain life, or for any other application in which the failure of the PFC Device Corp product could create a situation where personal injury or death may occur. Should Buyer purchase or use PFC Device Corp products for any such unintended or unauthorized application, Buyer shall indemnify and hold PFC Device Corp and its officers, employees, subsidiaries, affiliates, and distributors harmless against all claims, costs, damages, and expenses, and reasonable attorney fees arising out of, directly or indirectly, any claim of personal injury or death associated with such unintended or unauthorized use, even if such claim alleges that PFC Device Corp was negligent regarding the design or manufacture of the part.

